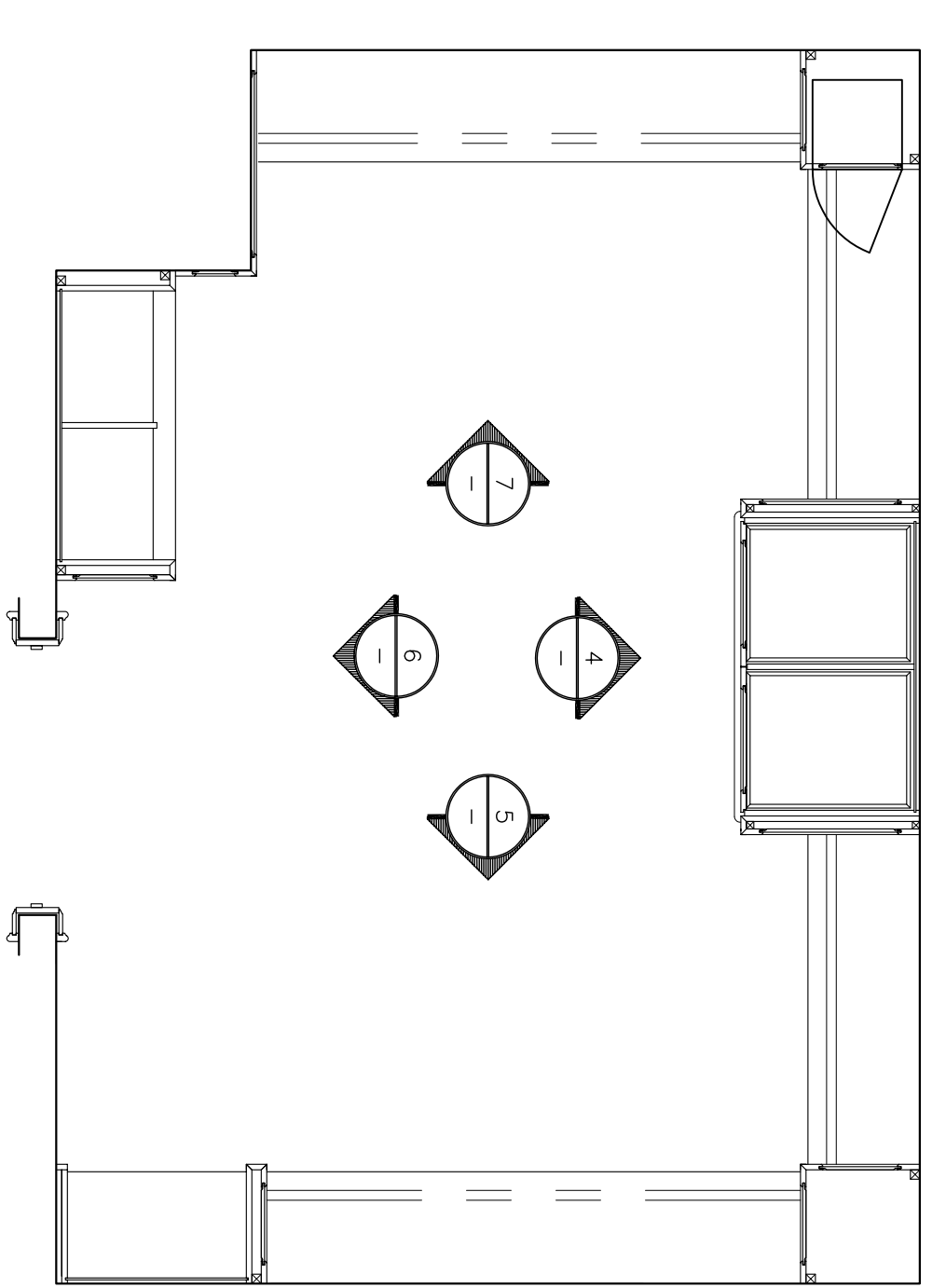


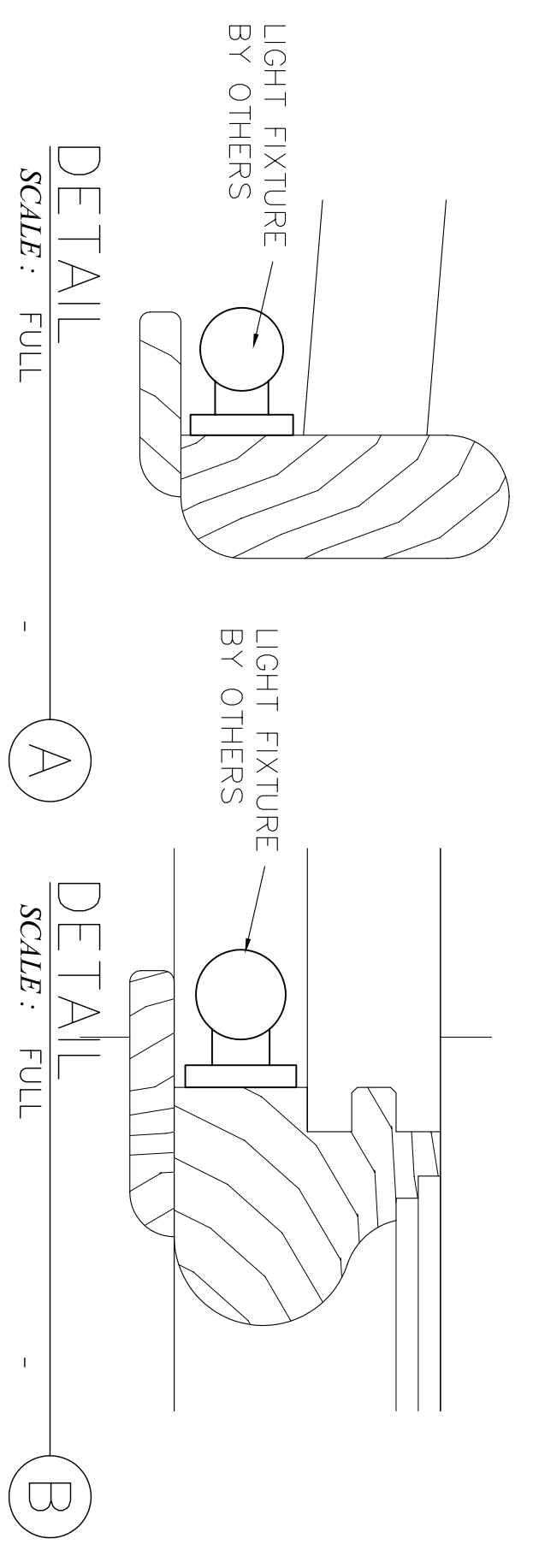
FINISH/MATERIAL SCHEDULE

▲ SUPERIOR ALDER SOLIDS (ALL EXPOSED SURFACES)
 ▲ TO BE FINISHED BY OTHERS @ JOBSITE

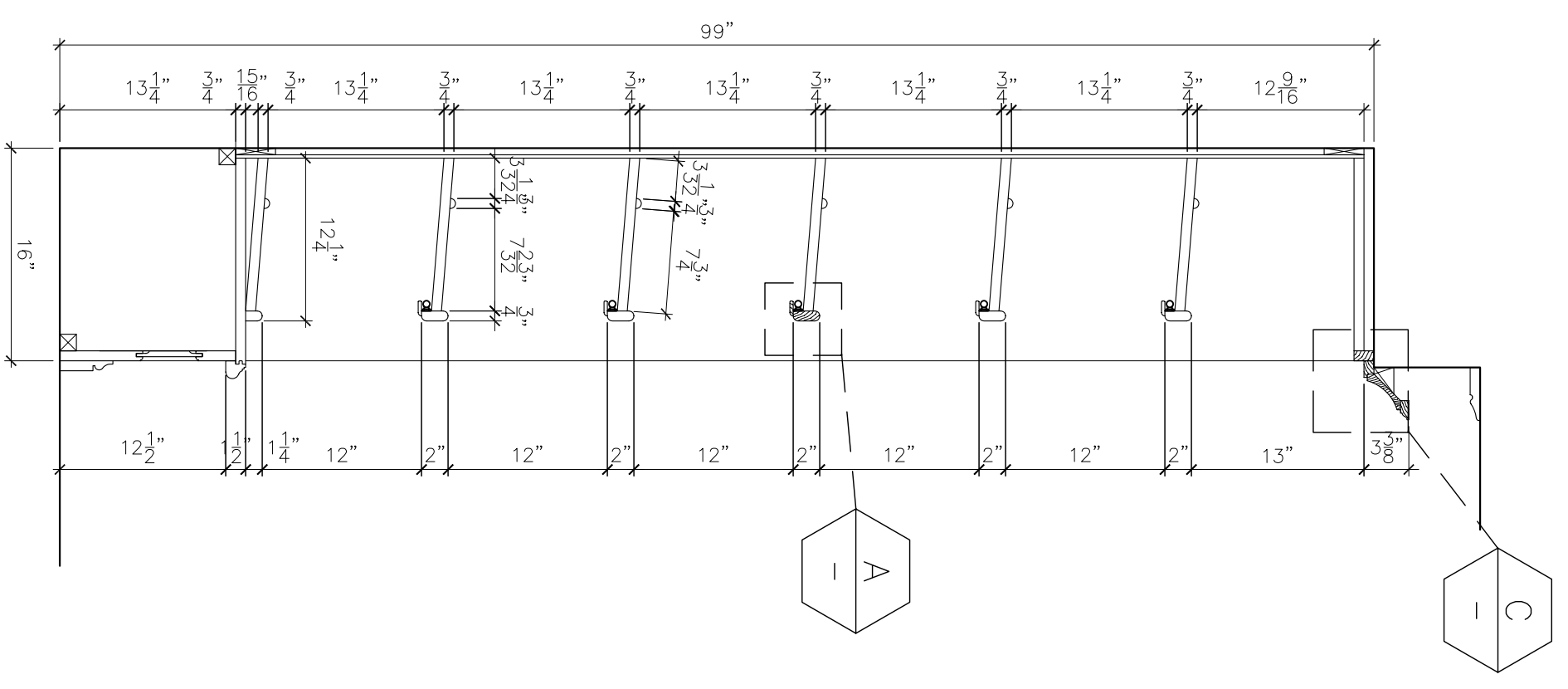
QUANT.	HARDWARE SCHEDULE
10 PR.	BLUM TANDEM UNDERMOUNT DRAWER SLIDE
4	K & V CLOSET ROD (POLISHED BRASS)
4	770 K & V CLOSET ROD FLANGE (POLISHED BRASS)
8 E.A.	4 734 K & V CLOSET ROD FLANGE (POLISHED BRASS)



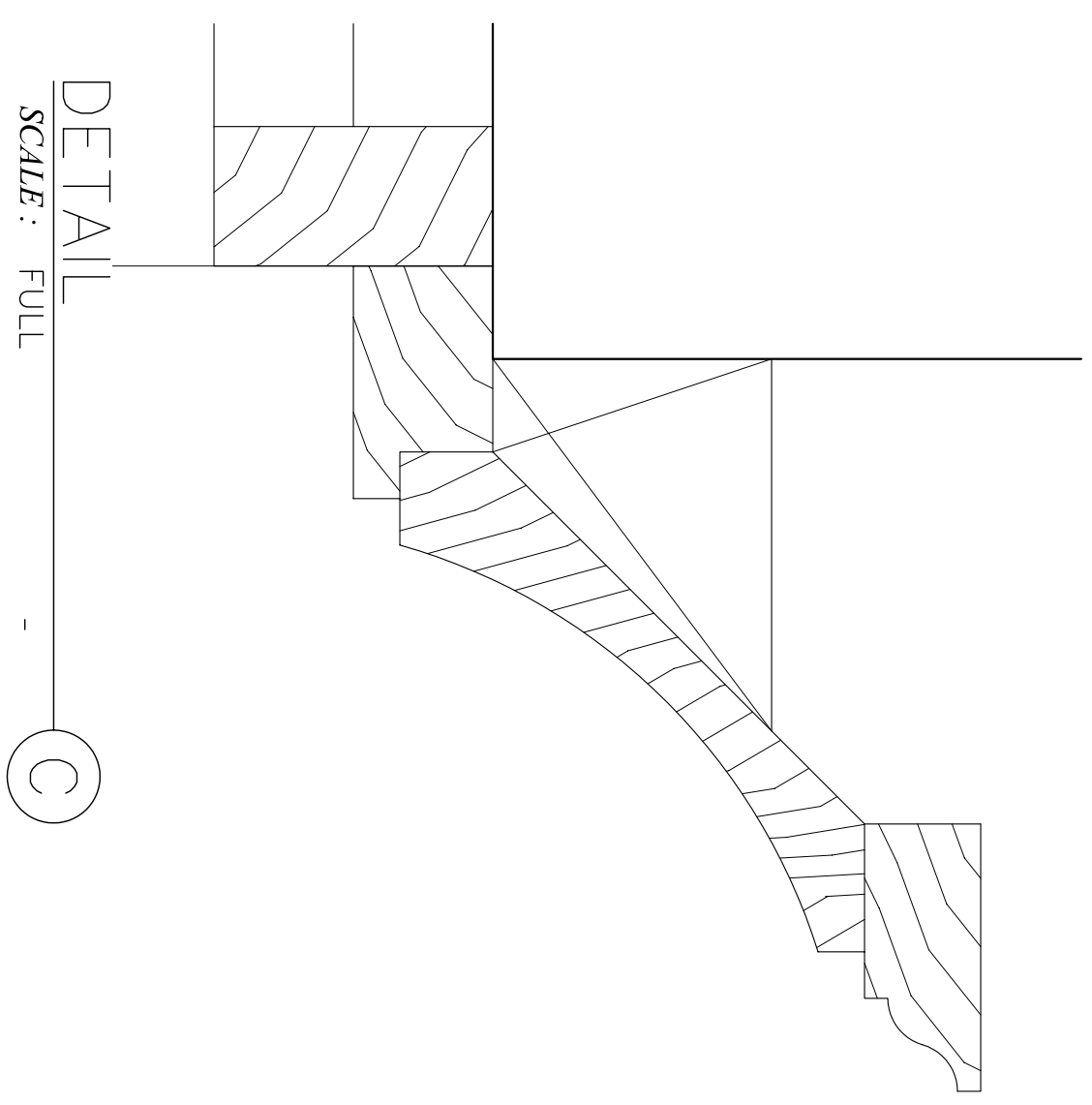
FLOOR PLAN
 SCALE: 1/2"=1'-0"



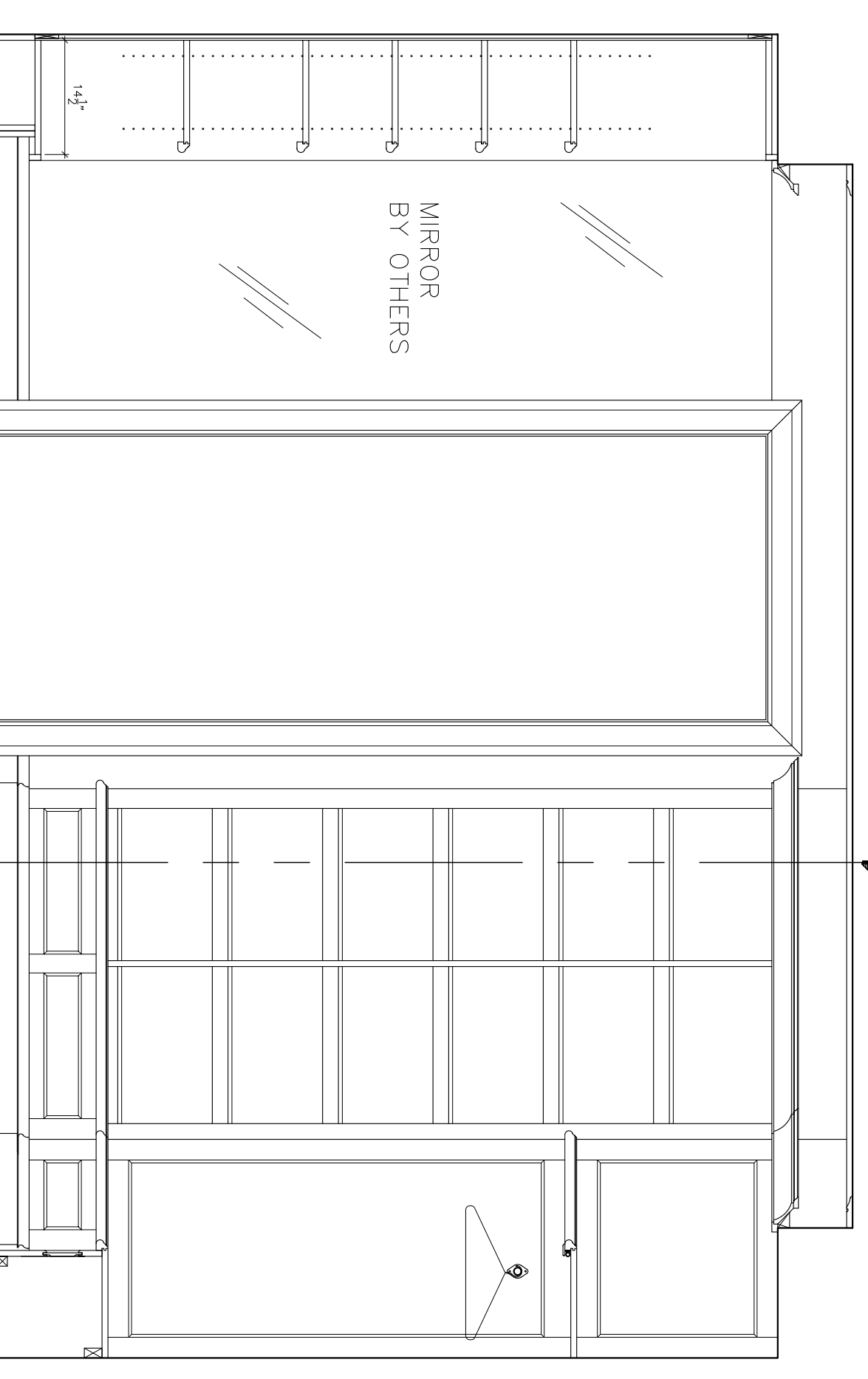
DETAIL
 SCALE: FULL



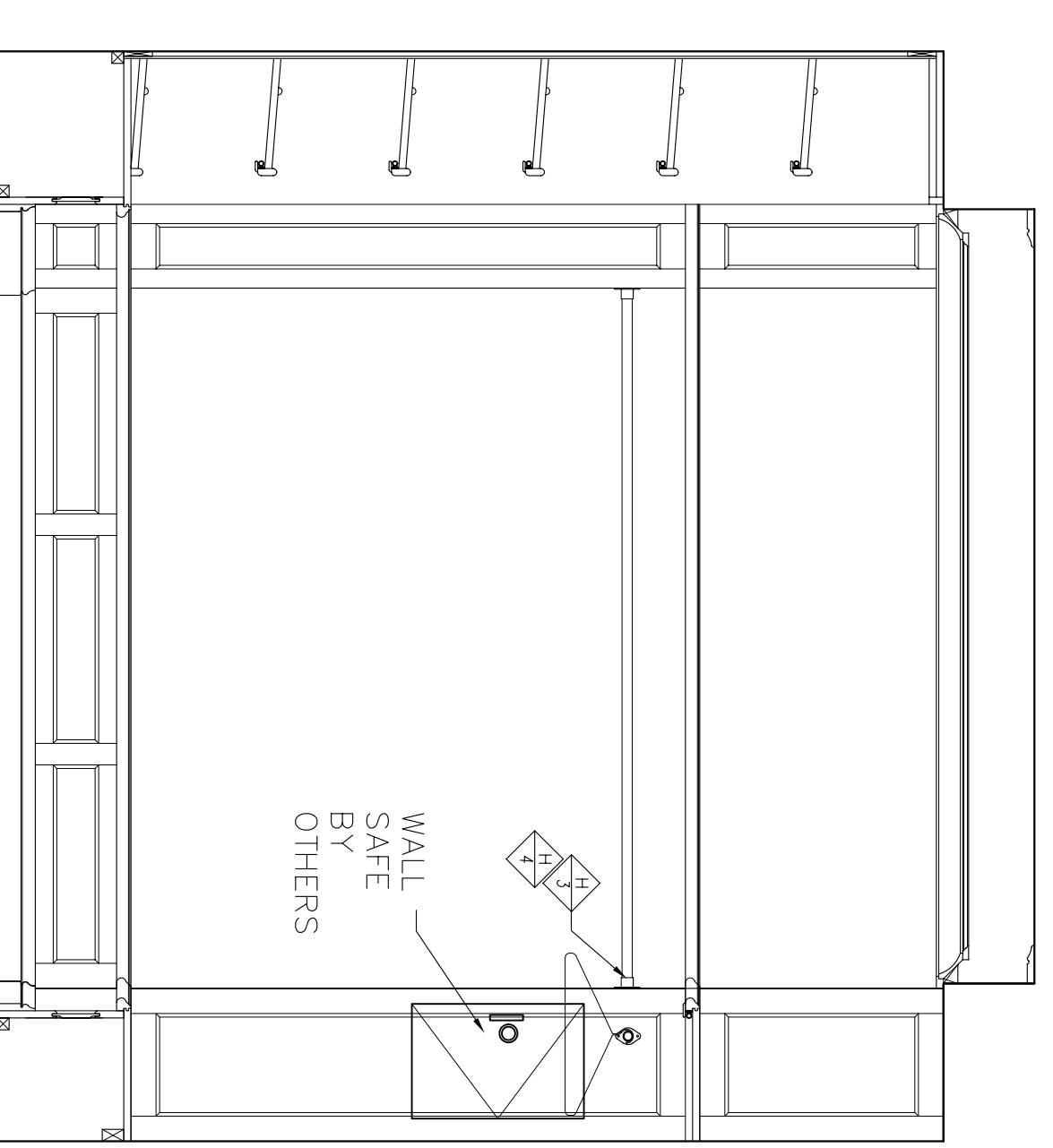
CROSS SECTION
 SCALE: 1"=1'-0"



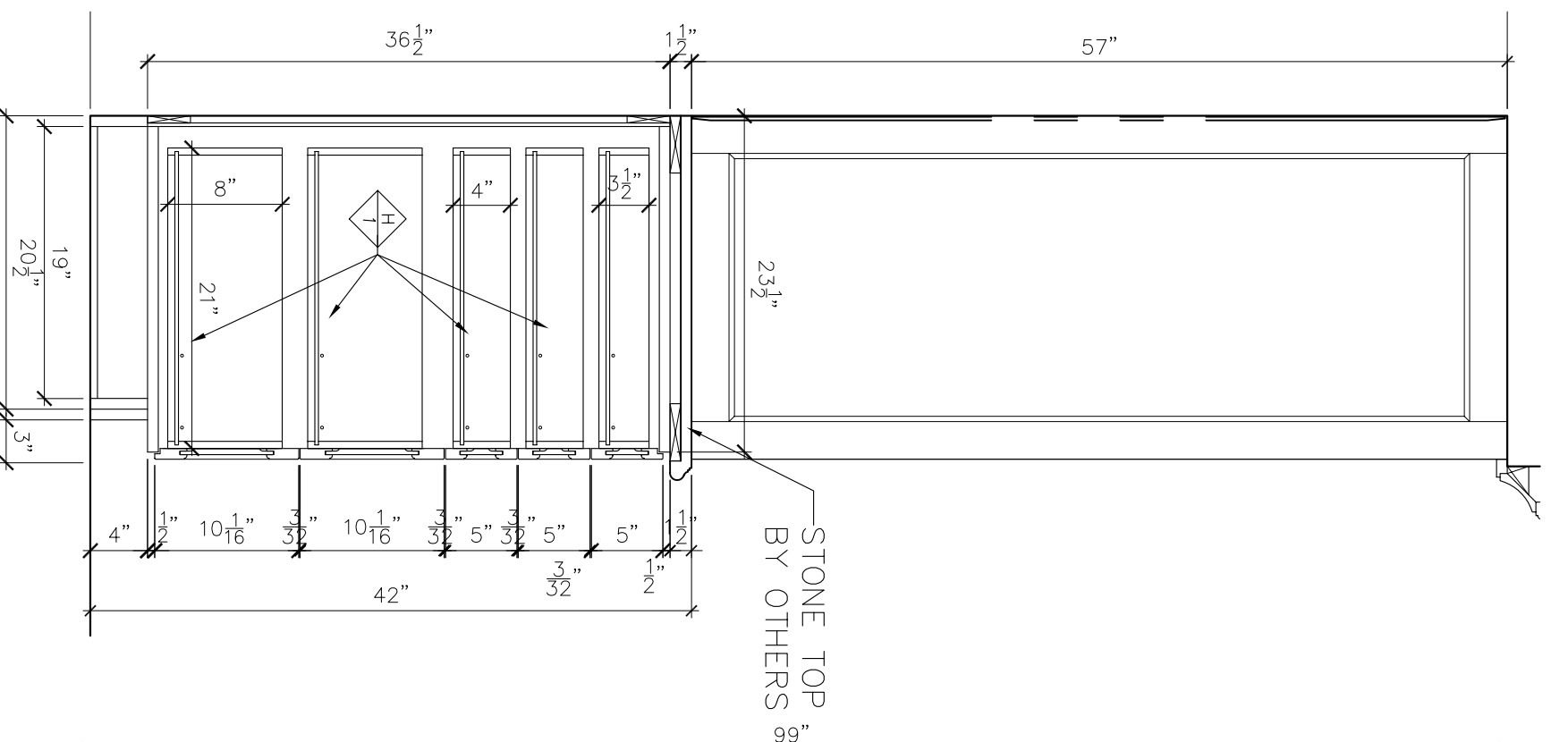
DETAIL
 SCALE: FULL



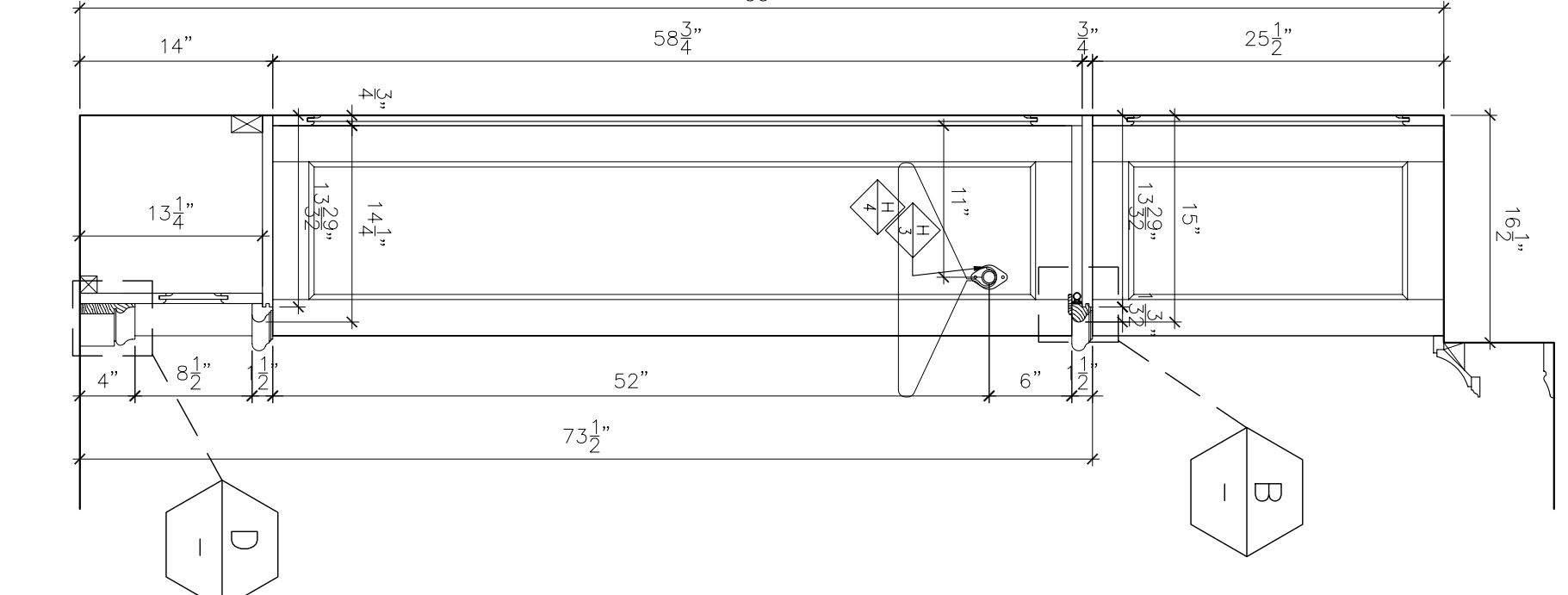
ELEVATION
 SCALE: 3/4"=1'-0"



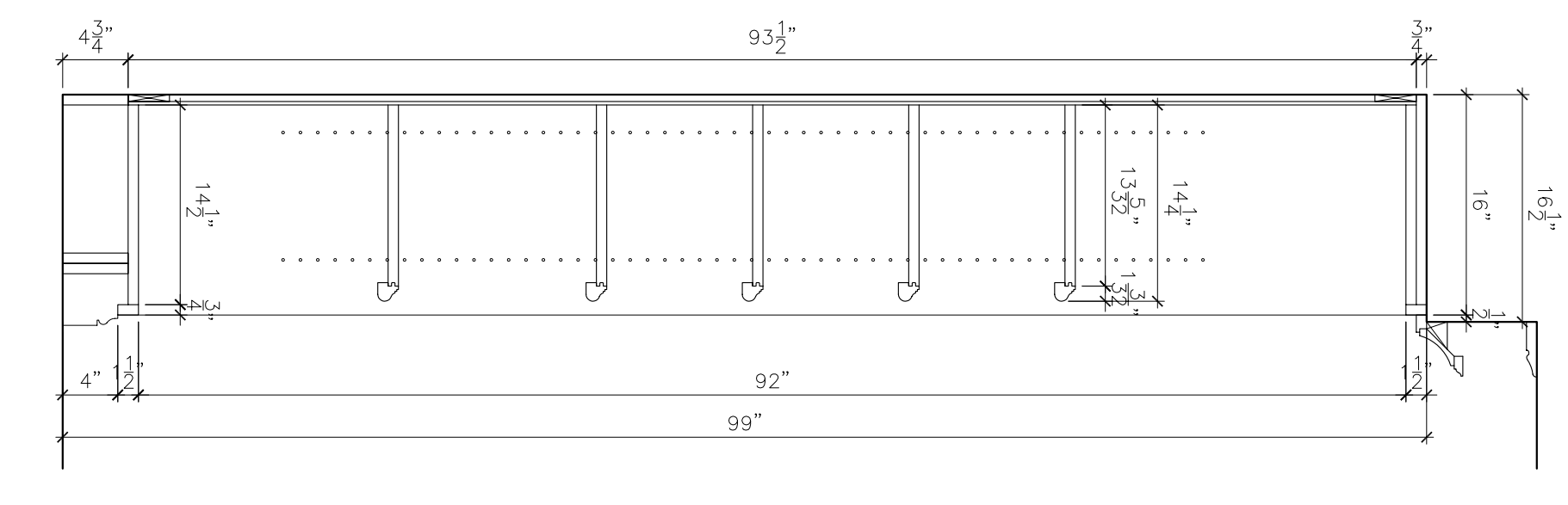
ELEVATION
 SCALE: 3/4"=1'-0"



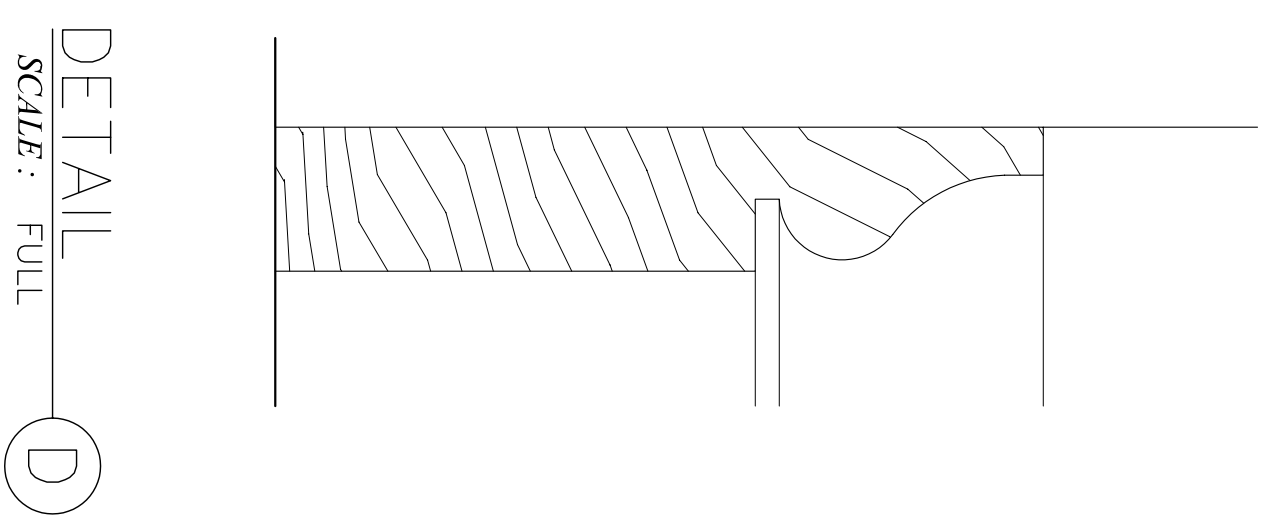
CROSS SECTION
 SCALE: 1"=1'-0"



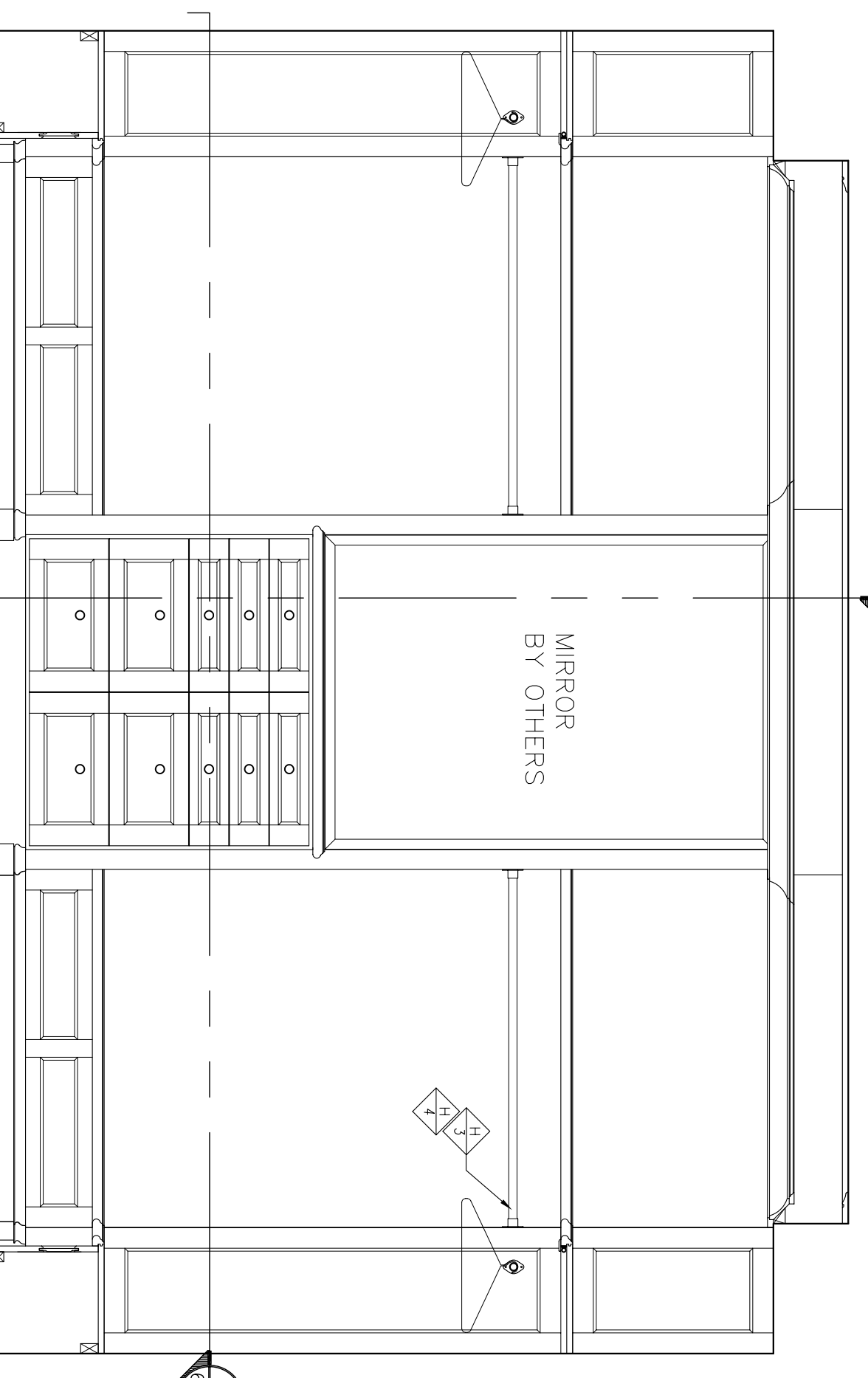
CROSS SECTION
 SCALE: 1"=1'-0"



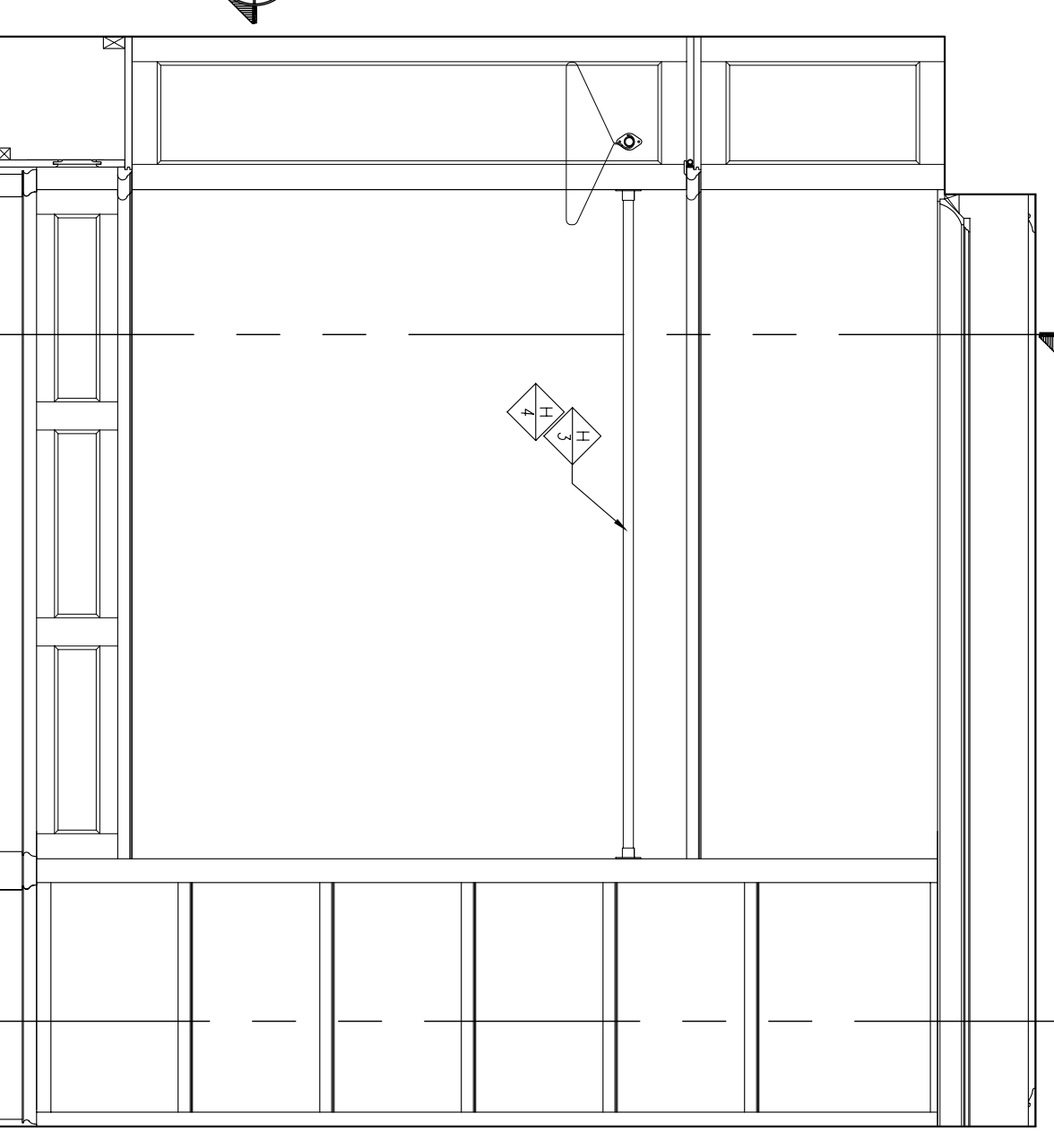
CROSS SECTION
 SCALE: 1"=1'-0"



DETAIL
 SCALE: FULL



ELEVATION
 SCALE: 3/4"=1'-0"



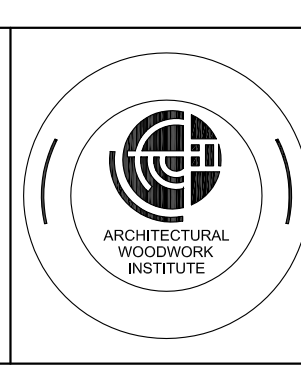
ELEVATION
 SCALE: 3/4"=1'-0"

GEORGE_RESIDENCE
 ANYWHERE,U.S.A
 MASTER_SUITE
 CLOSET

JOB NUMBER :	GRADE :
DRAWING DATE :	DATE SUBMITTED :
DRAWN BY :	RELEASED BY :
PROJ. MANAGER :	PROJ. ENGINEER :

REVISIONS :

RELEASED STAMP



CAD SHOP DRAWINGS
 Anaheim, California 92804



SHEET NUMBER