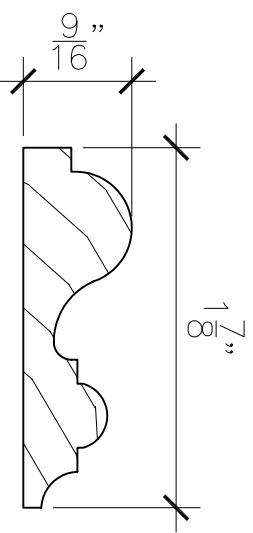
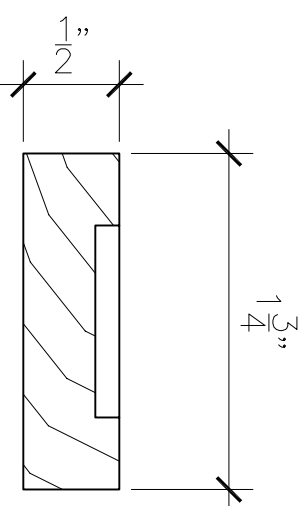


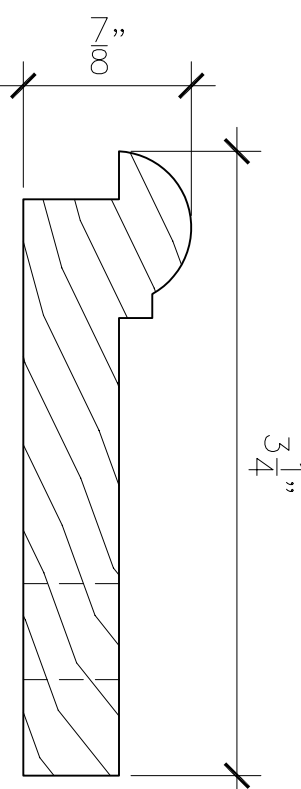
MOLDING #100
PANEL MOLDING
REF 1/1-15



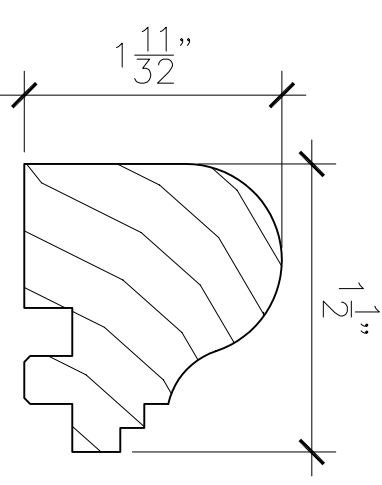
MOLDING #101
FACE APPLIED
MOLDING
REF 1/1-15



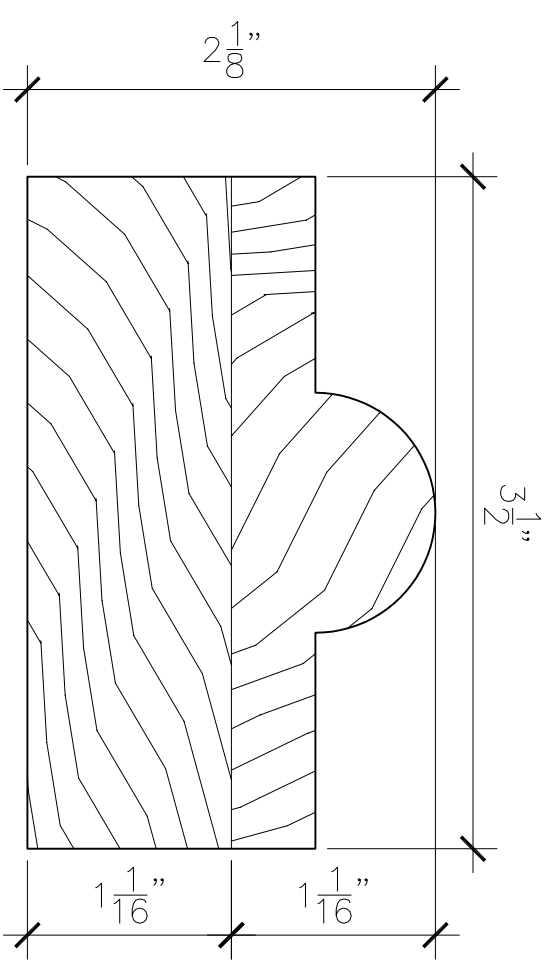
MOLDING #103
GREEK KEY MOTIF
MOLDING
REF 1/1-15



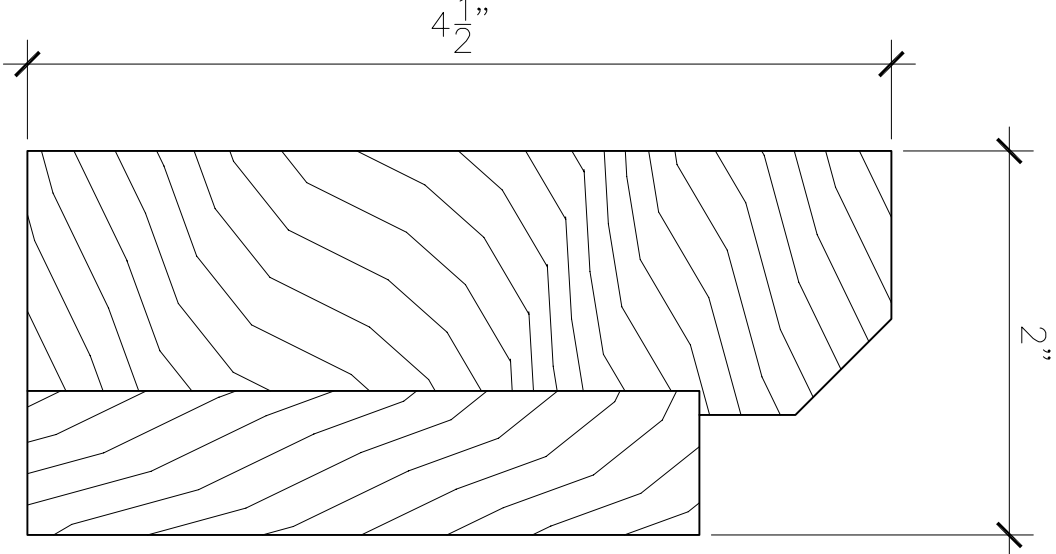
MOLDING #104
REF 2/1-15



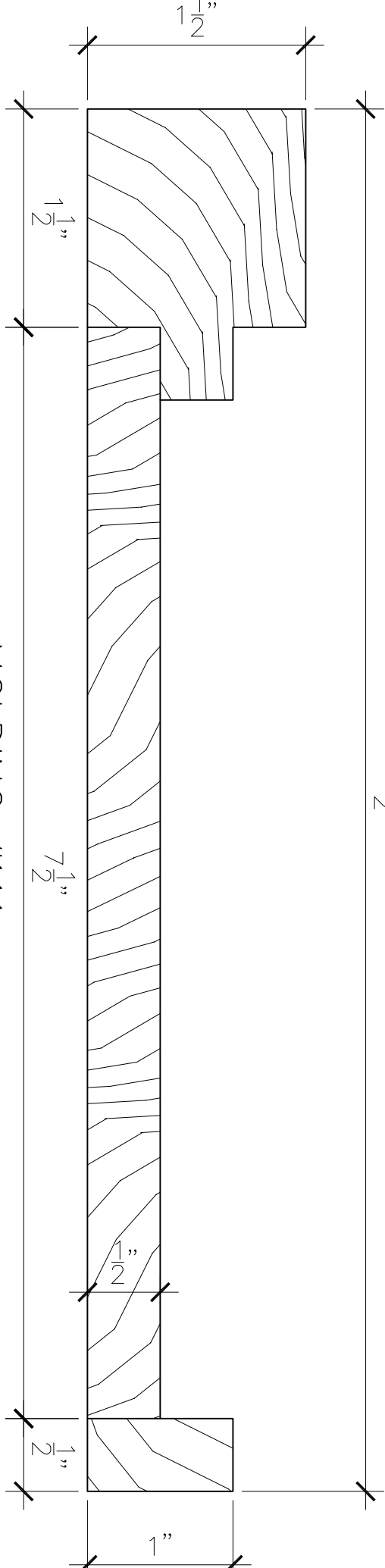
MOLDING #108
SHELF EDGE
MOLDING
REF 1-15



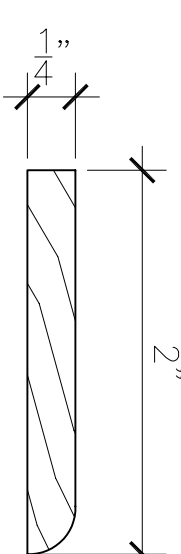
MOLDING #109
BULL NOSE
MOLDING
REF 5/1-15



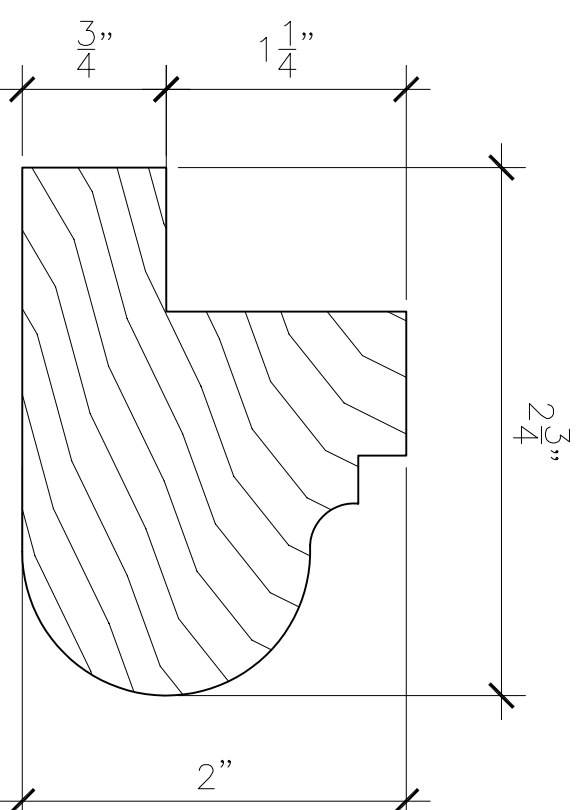
MOLDING #110
EDGE TRIM
REF 5/1-15



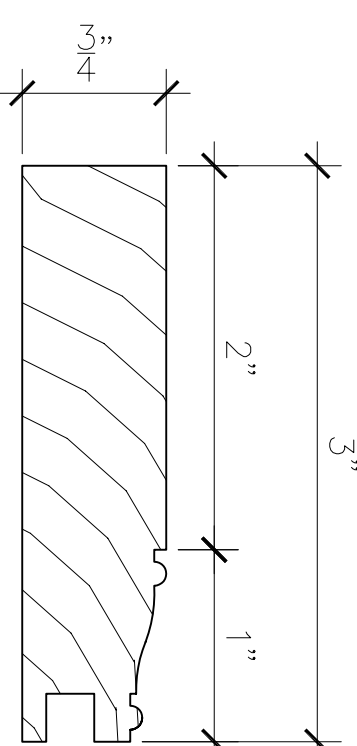
MOLDING #111
FACE MOLDING
REF 5/1-15



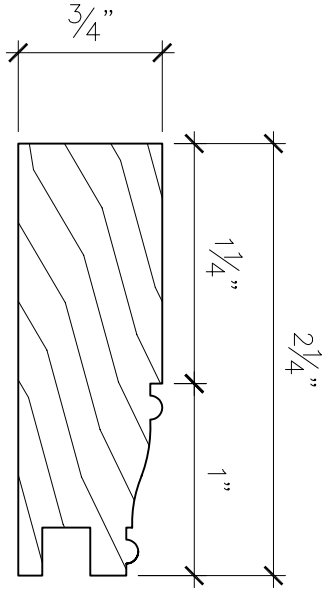
MOLDING #112
BASE ROUND
MOLDING
REF 2/1-15



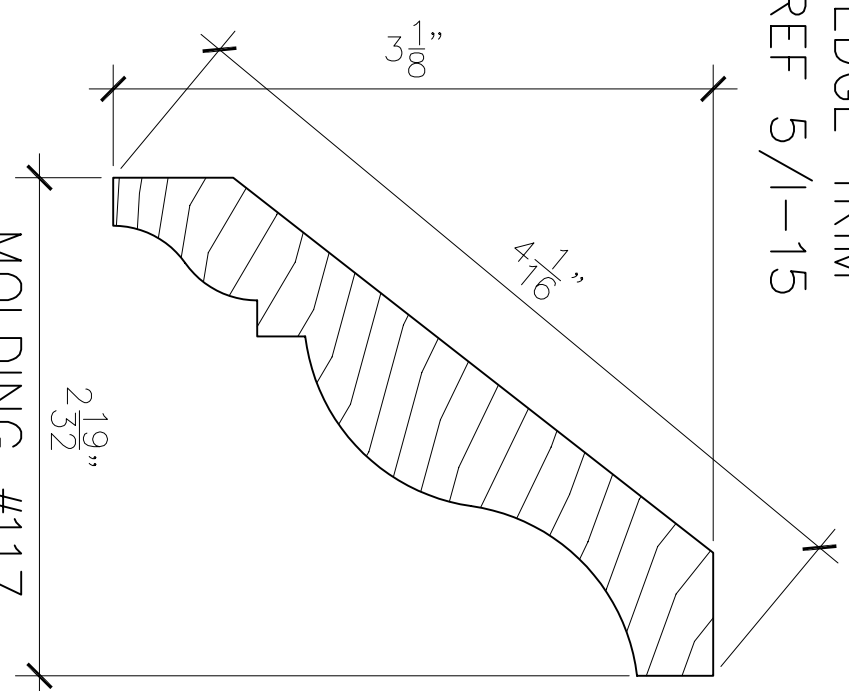
MOLDING #113
COUNTERTOP
EDGE
REF 2/1-7



MOLDING #114
DOOR STILE
REF 3.1/1-8



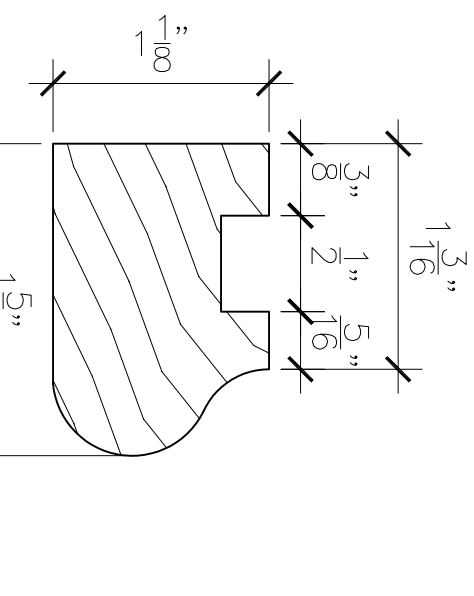
MOLDING #116
DRAWER FRONT
STILE
REF 3.1/1-8



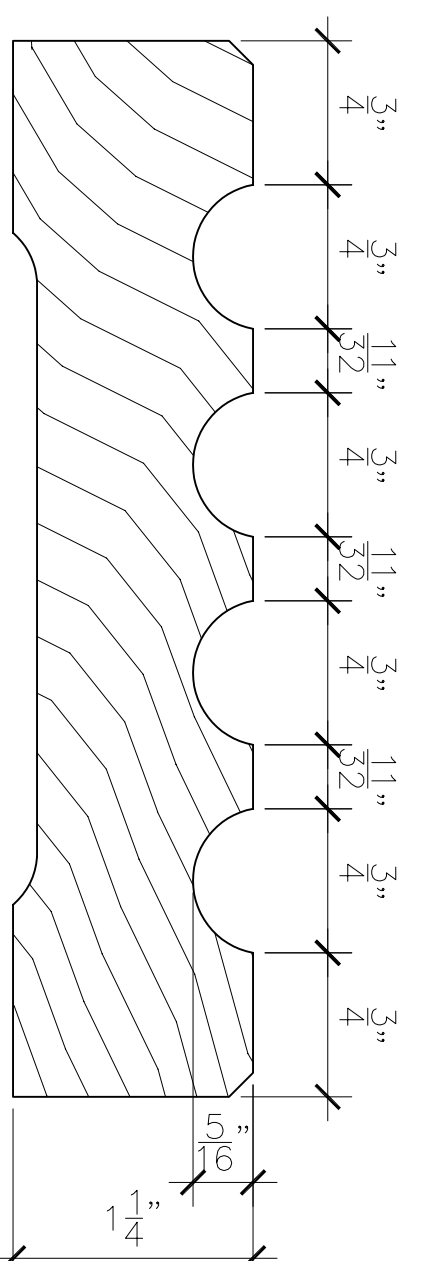
MOLDING #117
CROWN
REF -/1-7



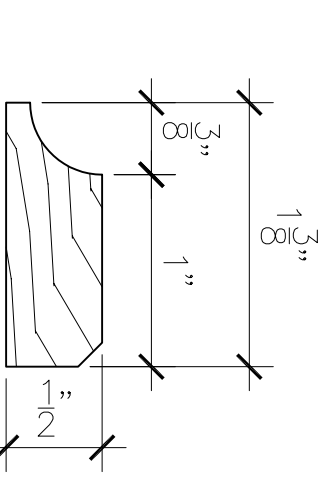
MOLDING #118
TYP. DOOR CASING
REF 8/1-5



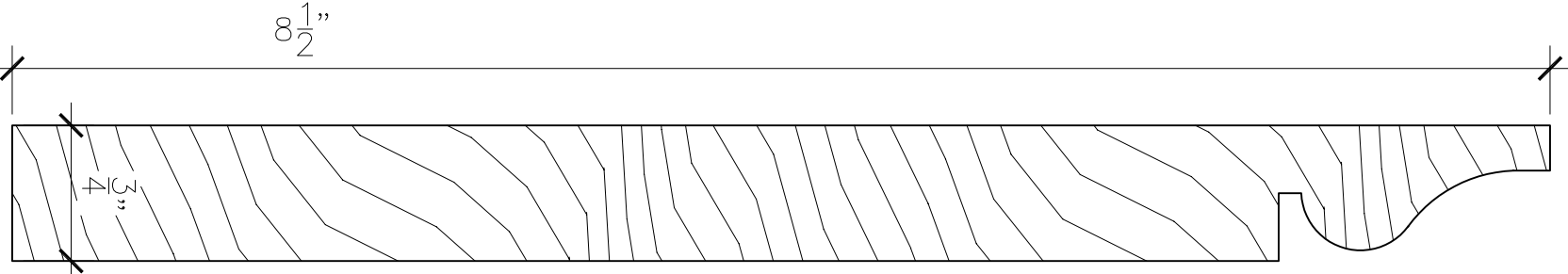
MOLDING #119
TYP. DOOR CASING
CAP
REF 8/1-5



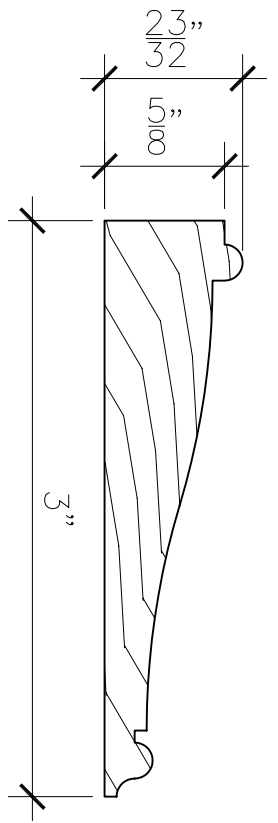
MOLDING #120
PLASTER
REF 2/1-7



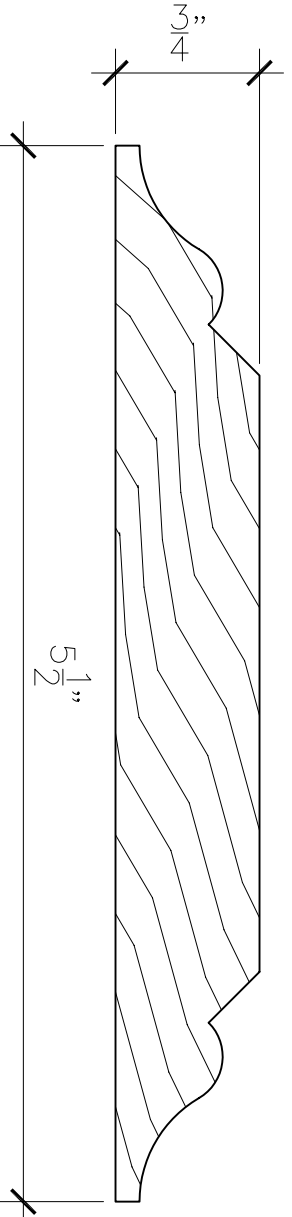
MOLDING #121
MEDALLION TRIM
REF 6/1-8



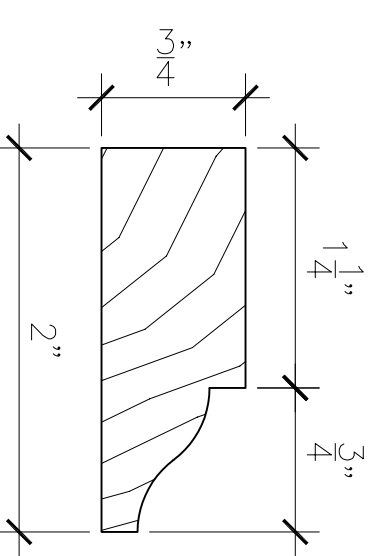
MOLDING #115
BASE
REF 5/1-15



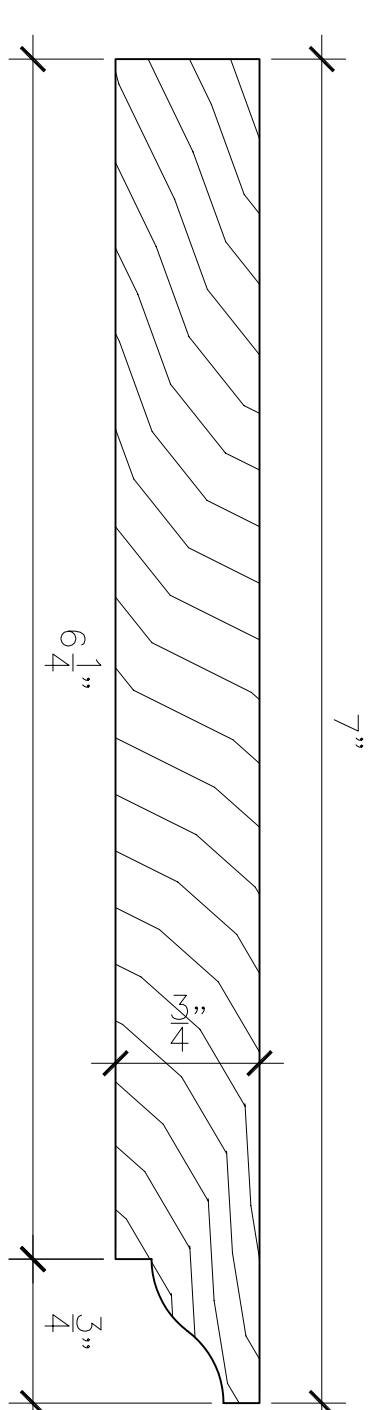
MOLDING #122
PANEL TRIM
REF 3/1-8



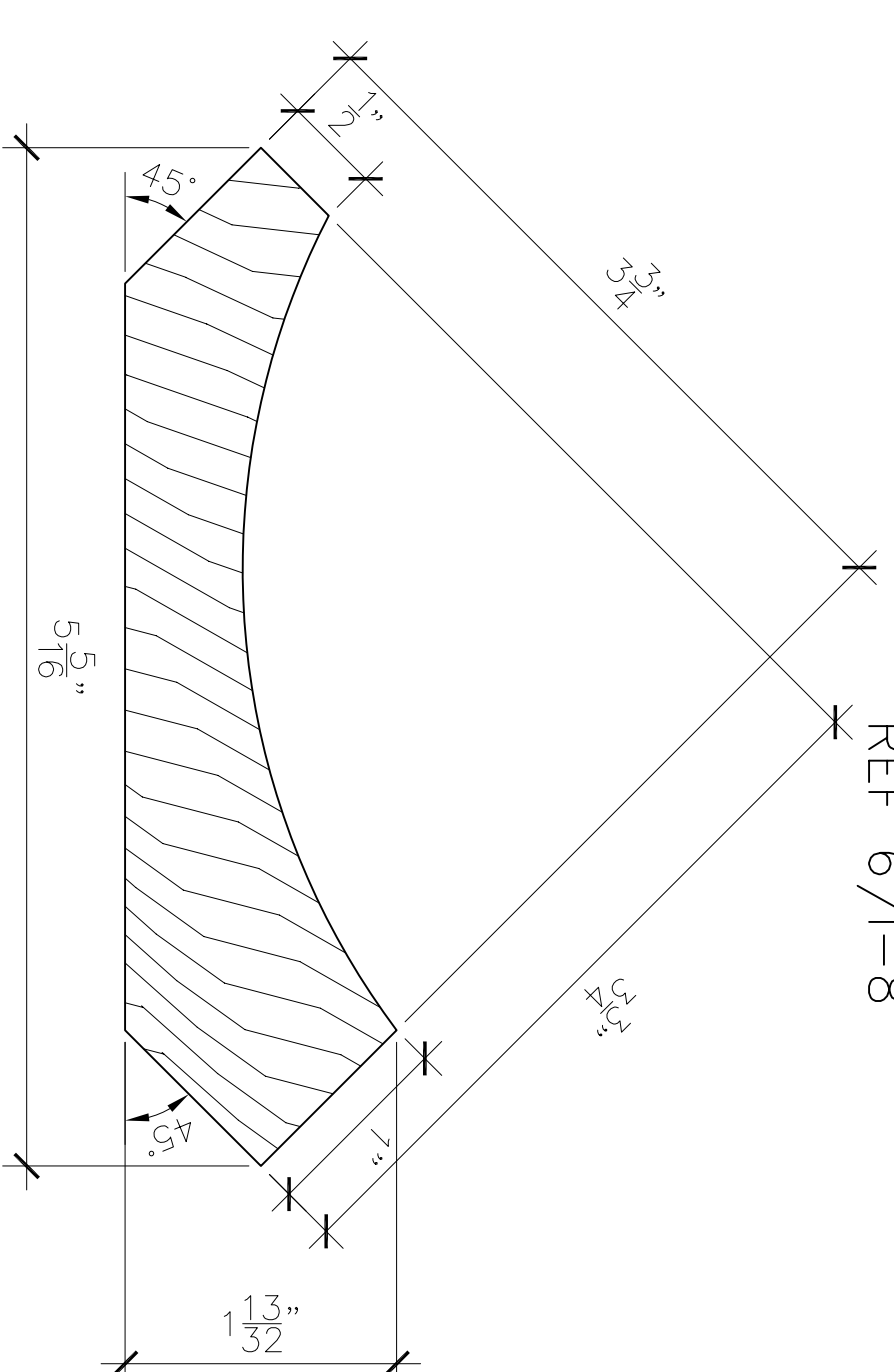
MOLDING #123
CHAIR RAIL
REF 3/1-8



MOLDING #124
CROWN TRIM
REF 5/1-8



MOLDING #125
CROWN TOP
REF 5/1-8



MOLDING #126
CROWN
REF 5/1-8

GEORGE.RESIDENCE
ANYWHERE,USA
STANDING_AND
RUNNING_TRIM

JOB NUMBER :
DRAWING DATE :
DRAWN BY :
APPROVED BY :

GRADE :
DATE SUBMITTED :
RELEASED BY :
FILE :

REVISIONS :
RELEASED STAMP



CAD SHOP DRAWINGS
Anaheim, California 92804

