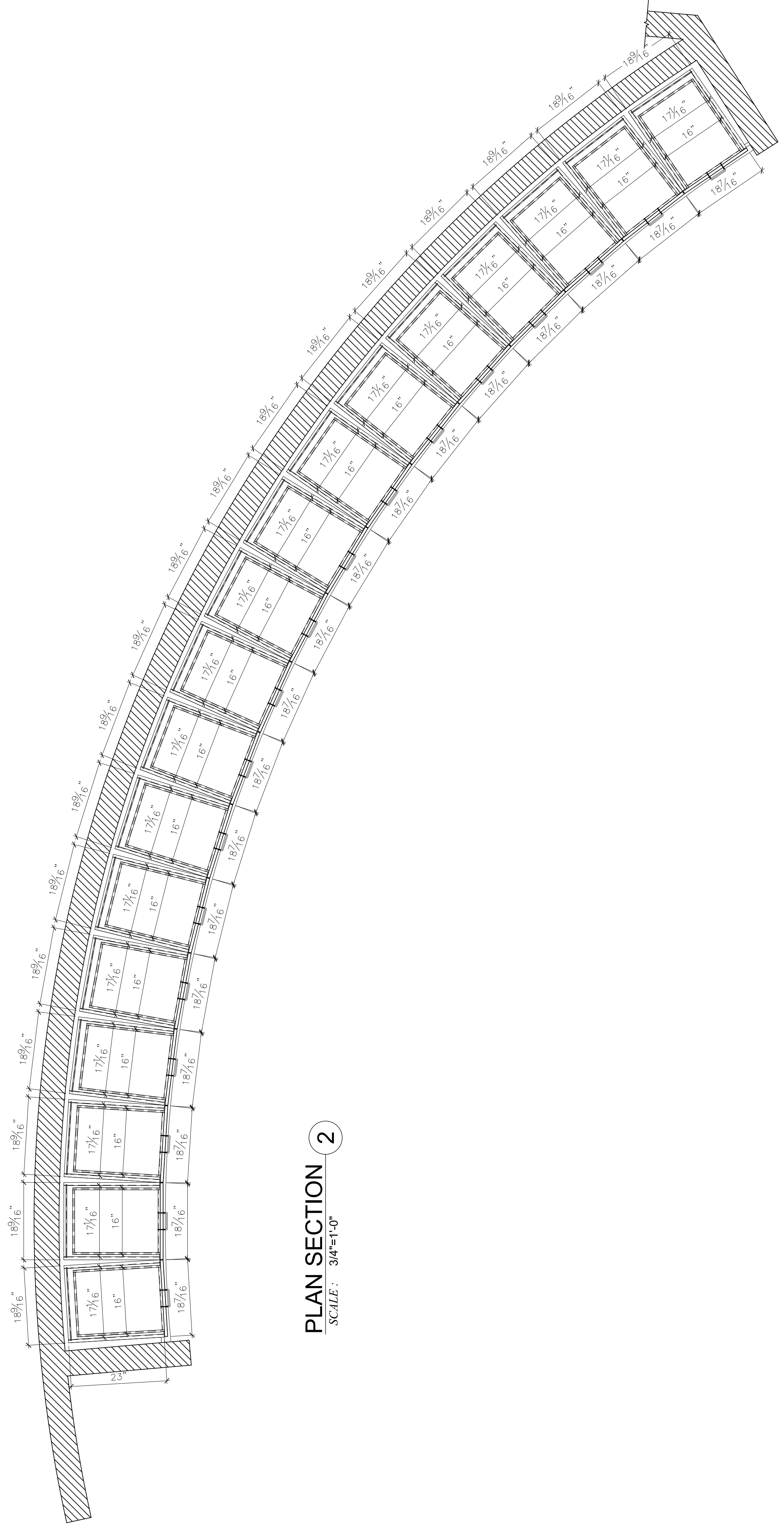


RELEASED STAMP

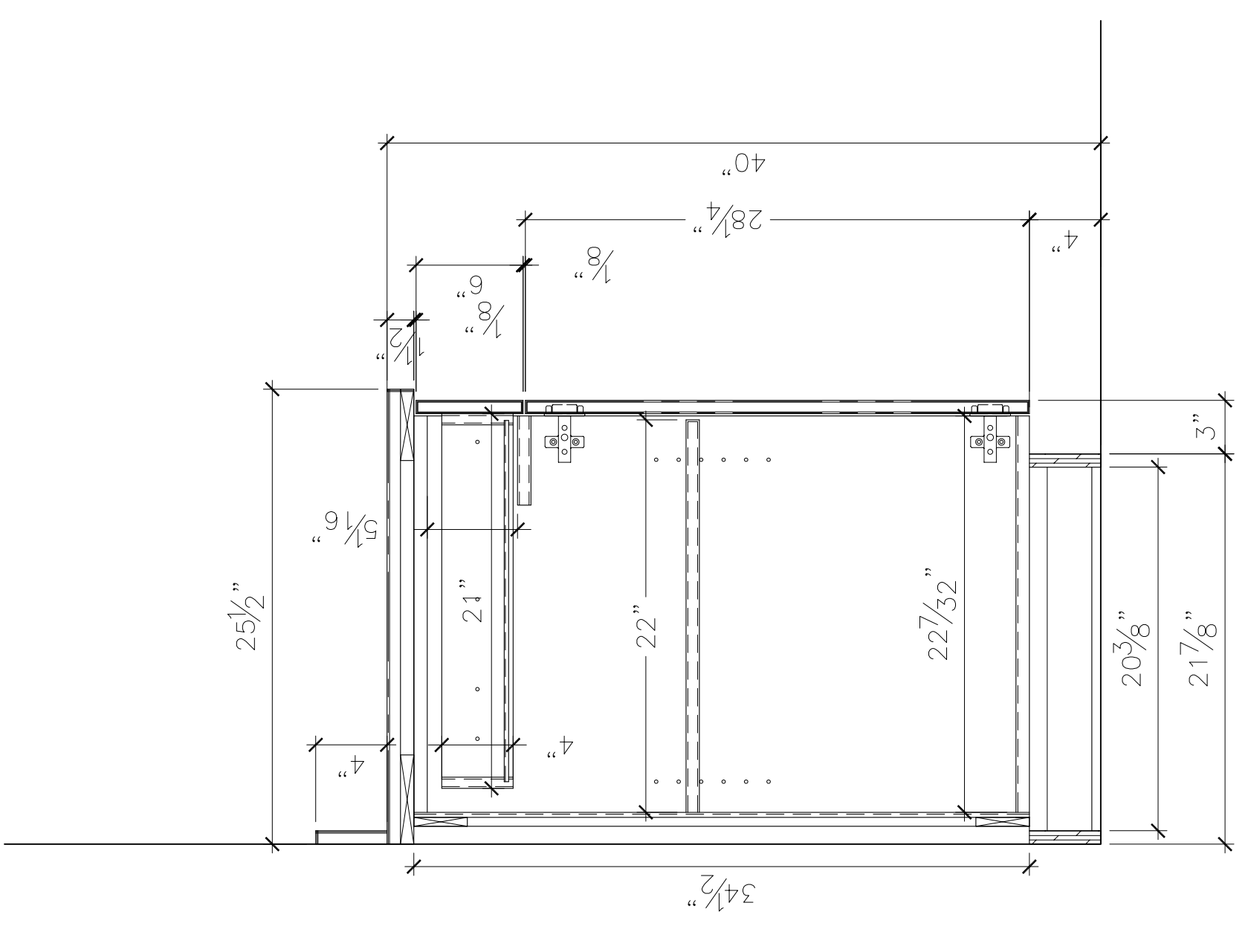
REVISIONS:

JOB NUMBER:	PREMIUM
GRADE:	PREMIUM
DATE SUBMITTED:	9/9/04
RELEASED BY:	KP
PROJ. ENGINEER:	CAP

WEST-COAST CREDIT UNION  
 ANYWHERE, U.S.A  
 TELLER:111



**PLAN SECTION 2**  
 SCALE: 3/4"=1'-0"



**CROSS SECTION 1**  
 SCALE: 1-1/2"=1'-0"